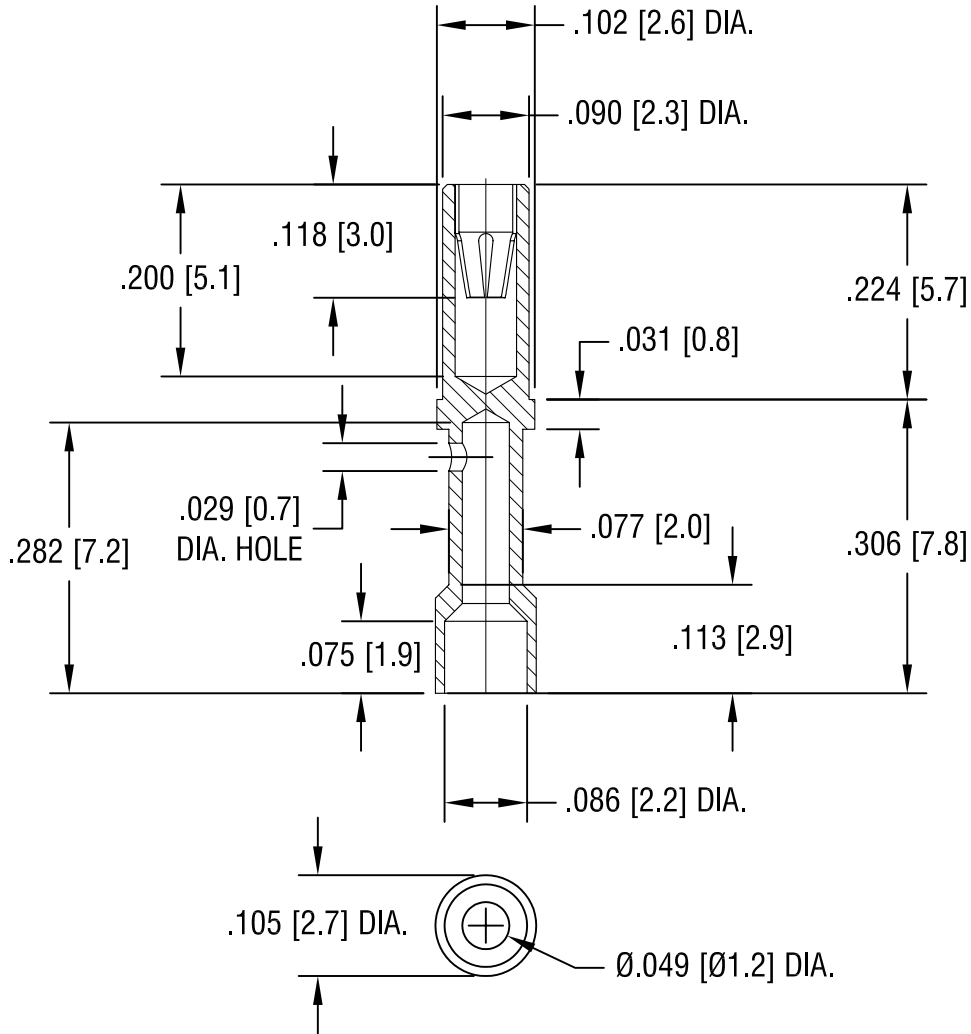
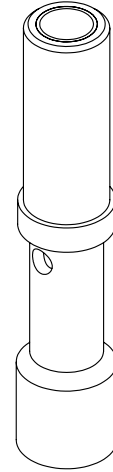
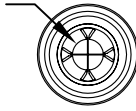


THIS DOCUMENT IS THE PROPERTY OF
KEYSTONE ELECTRONICS CORP. AND
SHALL NOT BE REPRODUCED, DISTRIBUTED
OR USED AS A BASIS FOR MANUFACTURE
WITHOUT PRIOR WRITTEN PERMISSION
FROM KEYSTONE ELECTRONICS CORP.

4-FINGERS CLOSED
ENTRY CONTACT FOR
Ø.040 [Ø1.02]
DIAMETER PIN



NOTES:

1. BODY: MAT'L - BRASS
FINISH: TIN PLATE
2. SPRING CONTACT: MAT'L - BERYLLIUM COPPER
FINISH: GOLD PLATE
3. ACCEPTS .040 DIA. PIN

KEYSTONE ELECTRONICS CORP.

www.keyelco.com • ASTORIA, N.Y. 11105-2017 • Tel (718) 956-8900

PART NAME		JACK FOR .032 [.81]-.046 [1.17] DIA. PINS	
MATERIAL		AS NOTED	
FINISH	AS NOTED	DRN BY	NT
		DATE	3.29.07
		APP'D	LN
		SCALE	5X
TOLERANCES	INCH [MM]	CODE	DWG NO.
DECIMAL	± .005 [± 0.15]	C/M	
ANGULAR	± 1°		
UNLESS OTHERWISE SPECIFIED			3595

3.11.08	AS PER ECN 08-094	A
DATE	DESCRIPTION	REV.